

Adjustment tools:



 **4**

4 mm hexagon



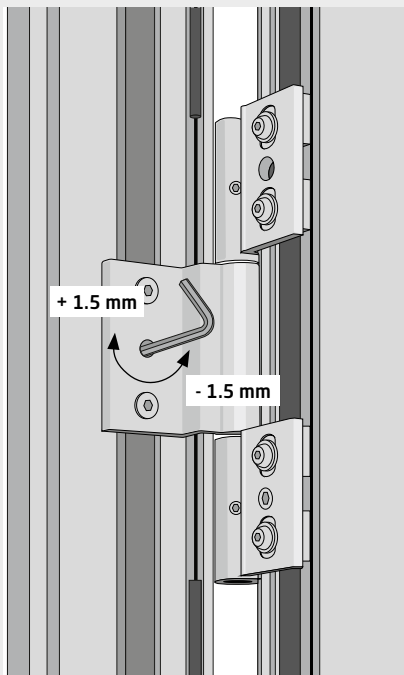
 **25**

25 torque

Barrel Hinge: Art. Nr. 14072 for Sapa 2086/2050

Horizontal adjustment

Horizontal adjustment ± 1.5 mm using integrated adjustment platform

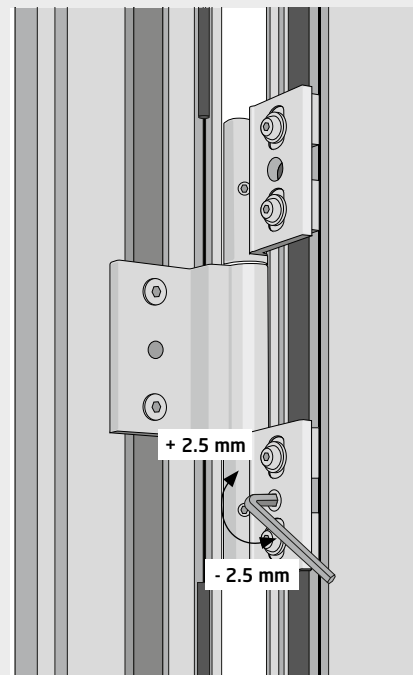
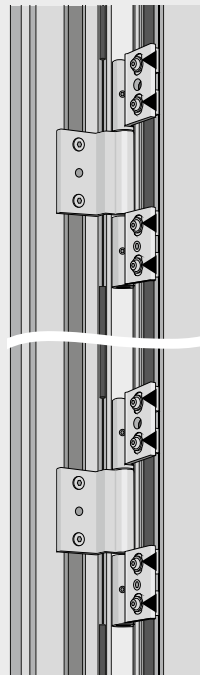


Height adjustment:

Slightly loosen all fastening screws in the frame, see black arrows.

Adjust height by moving the eccentric element at the bottom hinge (Adjustment range ± 2.5 mm).

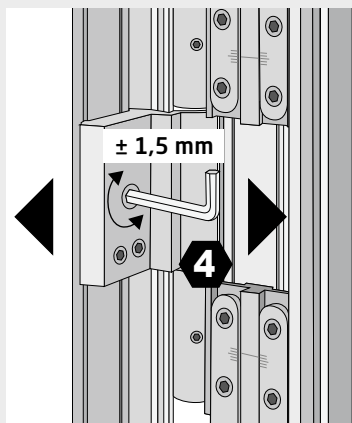
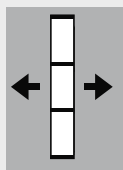
Tighten all fastening screws in the frame (5 – 9 Nm).



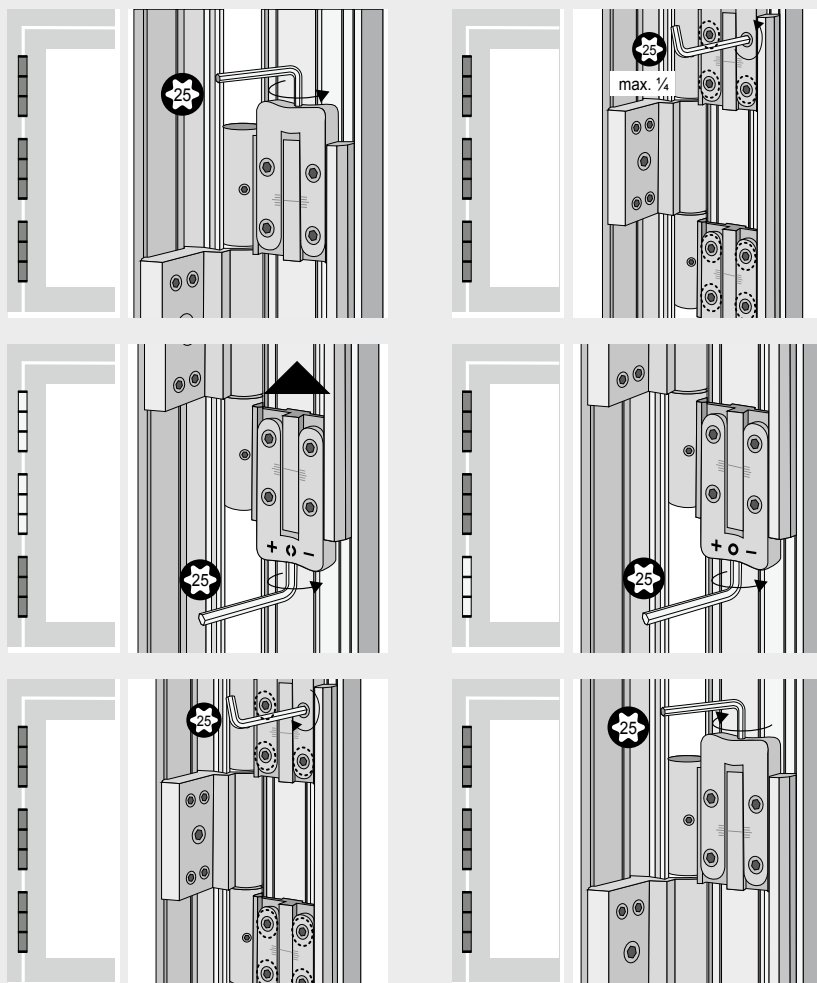
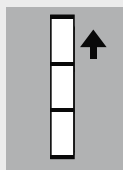
Barrel Hinge: Art. Nr. 14094 for Sapa 2086

Horizontal adjustment

Adjust top hinge first, then adjust the remaining hinges.



Vertical adjustment to lift sash



Vertical adjustment to lower sash

