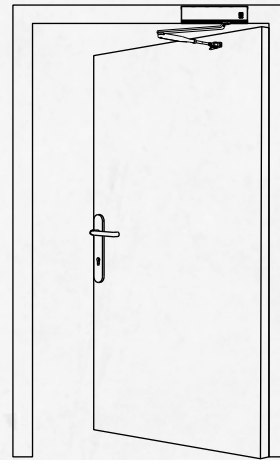


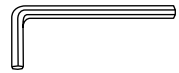
Left adjustment



Right adjustment

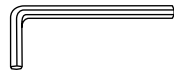
NB! Door closers arrive unadjusted. Adjustment after installation works is responsibility of installers.

Adjustment tools:



2.5

2.5 mm hexagon



5

5 mm hexagon



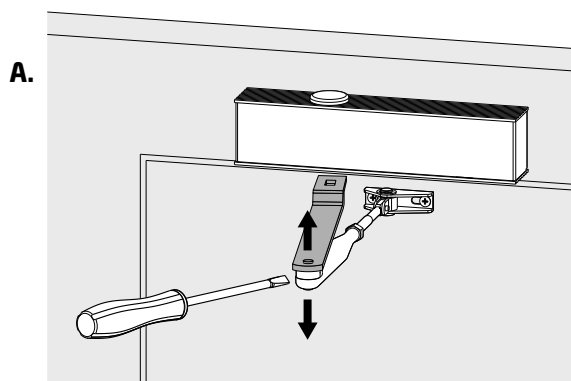
10 mm wrench



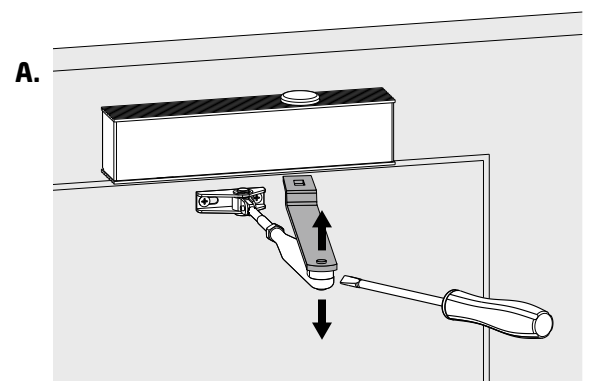
Screwdriver

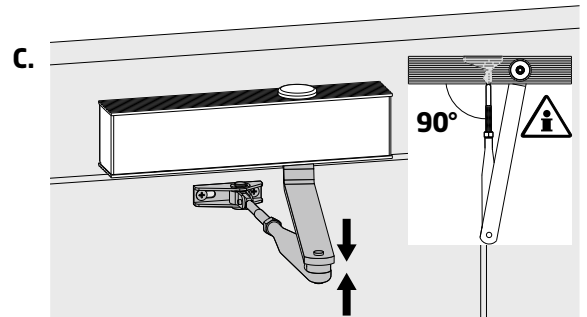
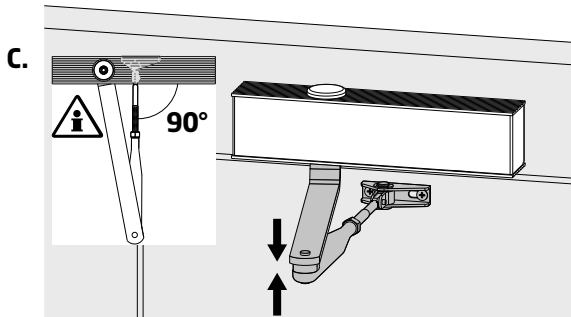
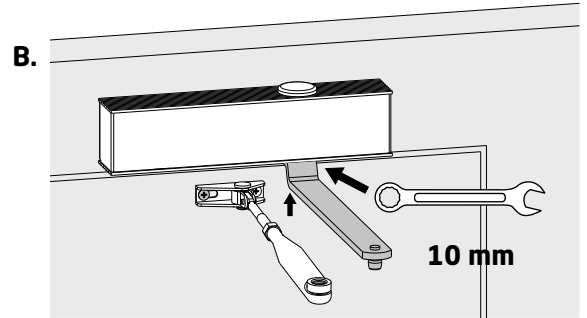
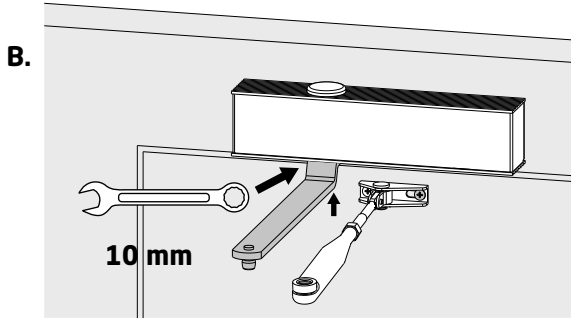
Step 1 Before adjusting, fit an arm to the door closer, if it was delivered disconnected.

Left adjustment

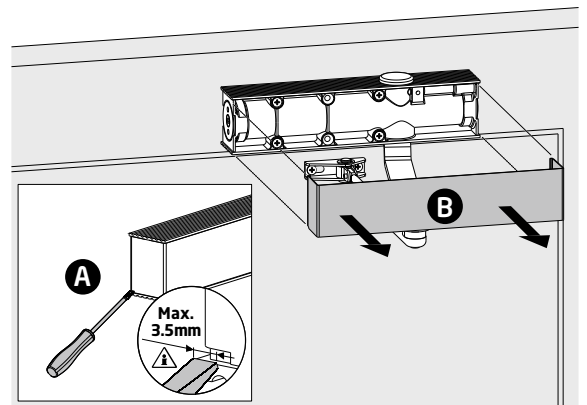
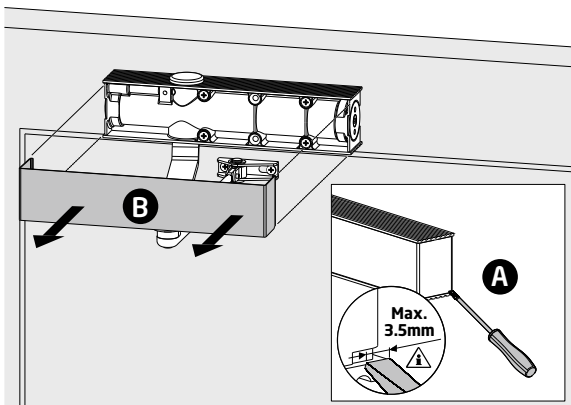


Right adjustment

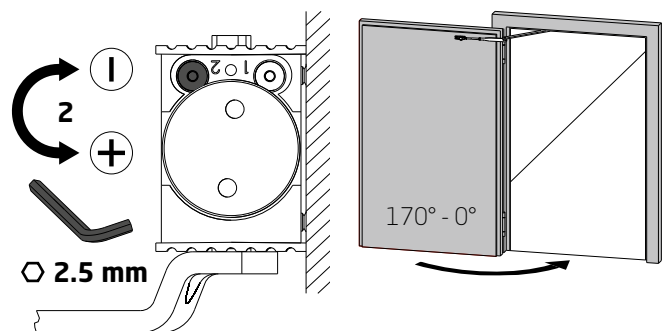
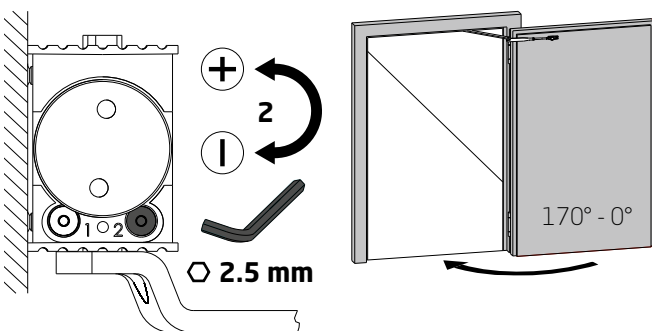




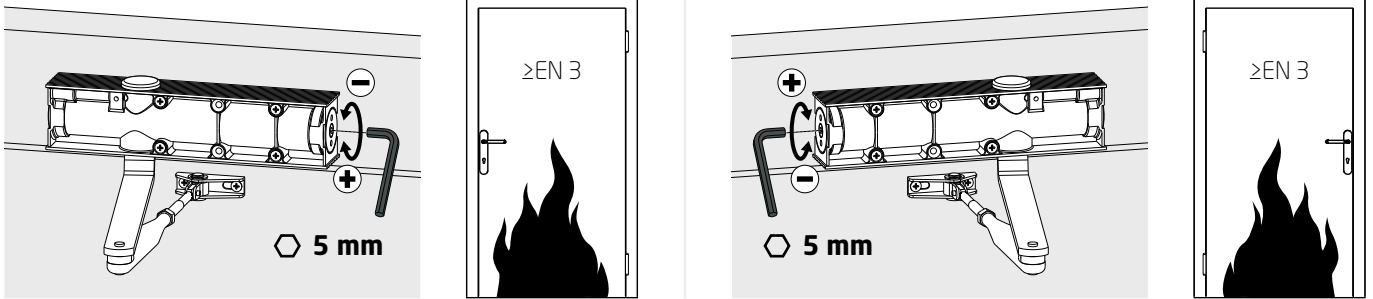
Step 2



Step 3 Closing speed

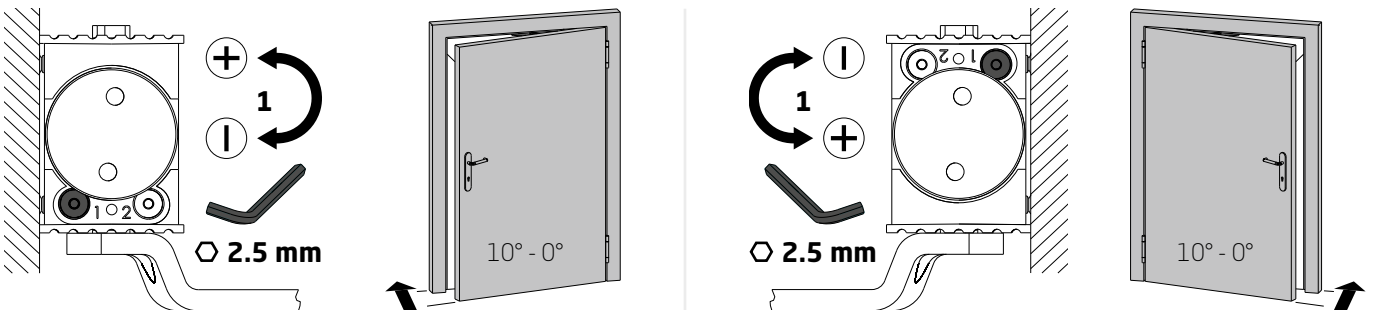


Step 4 Closing force



	Closing force	Max. door width	Rotations quantity for adjustment
 DCS500 EN 1-5	1	750 mm	- 5
	2	850 mm	- 2
	3	950 mm	0
	4	1100 mm	3
	5	1250 mm	7

Step 5 Latching speed



Step 6

