

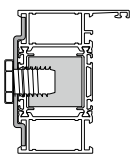
### General information about completion of delivery:

- Windows as a standard arrive unglazed from the factory.
- Holes for installation will be predrilled and adjufixes attached on the frame.
- Preparation and insulation of openings of the building should be defined before installation works. It is responsibility of the customer, architect and dealer.
- Installation principles applied in supporting constructions:
  - Flexible (wood/steel studs), min. thickness of wall 95 mm
  - Light rigid (light weight concrete), density: 650 kg/m<sup>3</sup> (for EI30) or 550 kg/m<sup>3</sup> (for EI60) ± 200 kg/m<sup>3</sup>
  - Heavy rigid, density min. 850 kg/m<sup>3</sup>

**NB!** Read the general guidelines for correct handling of fire rated products.

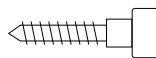
**NB!** If the product is delivered without mounted glass, see the manual for fitting glass in fire products.

### Installation material:



#### 1. Adjufix

Required quantity is already attached to the frame.



#### 2. Screws

For fastening adjufix to the wall. Not included in delivery.



#### 3. Caps

For covering predrilled holes. Included in delivery.



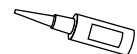
#### 4. Wedges

Oak or other wood with similar density. Not included in delivery



#### 5. Bearing pads

Bearing pads - Oak or other wood with similar density. Not included in delivery



#### 6. Sealing compound for fire rated doors P/N 12222.

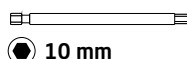
Included in delivery

### Installation tools:

Not included in delivery.



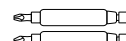
#### 1. Cordless screwdriver



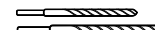
#### 2. Hexagonal screwdriver bit.



#### 3. Spirit level



#### 4. Magnetic bits



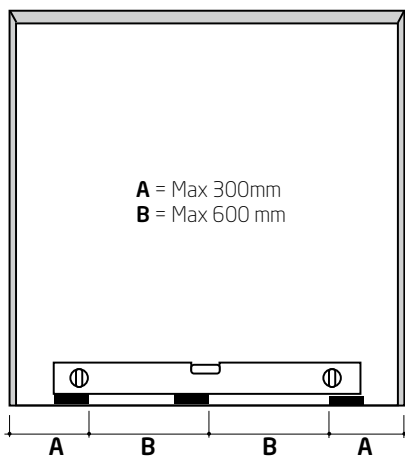
#### 5. Drill



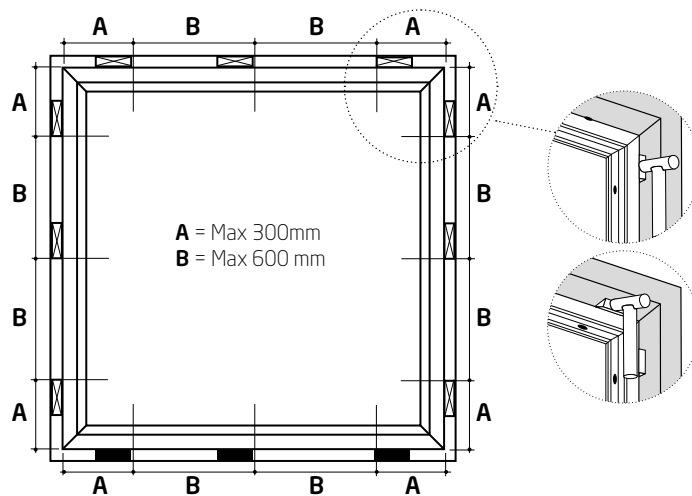
#### 6. Light hammer

## Step 1

### Window installation to the opening





**Step 1.1** Place bearing pads at the bottom of the opening next to each fixing point on the window. The number of bearing pads must correspond to the number of fixing points (and should be at least 2pcs. at all times, 200mm from the corners)). Ensure they are level.



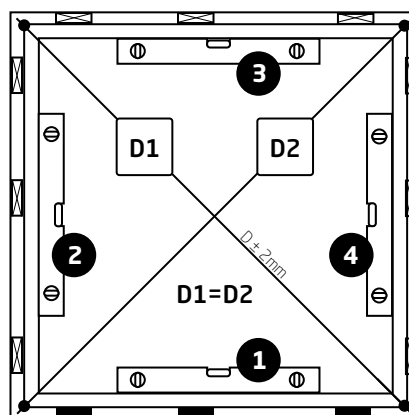
**Step 1.2** Fix the frame with wedges.

Wedges must be positioned next to each fixing point on the window.

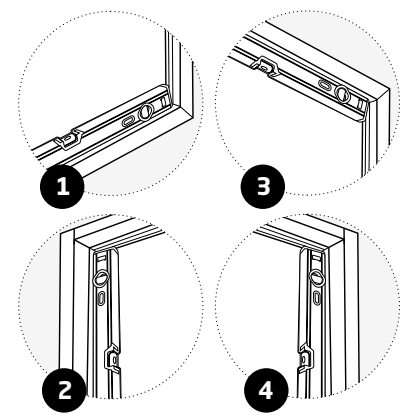
-  = Wedges
-  = Bearing pads

**NB!** The gap between the frame and the wall is recommended to leave: 20 (+10;-8) mm

**Step 1.3** Ensure horizontal and vertical leveling of the frame.



D = Diagonals

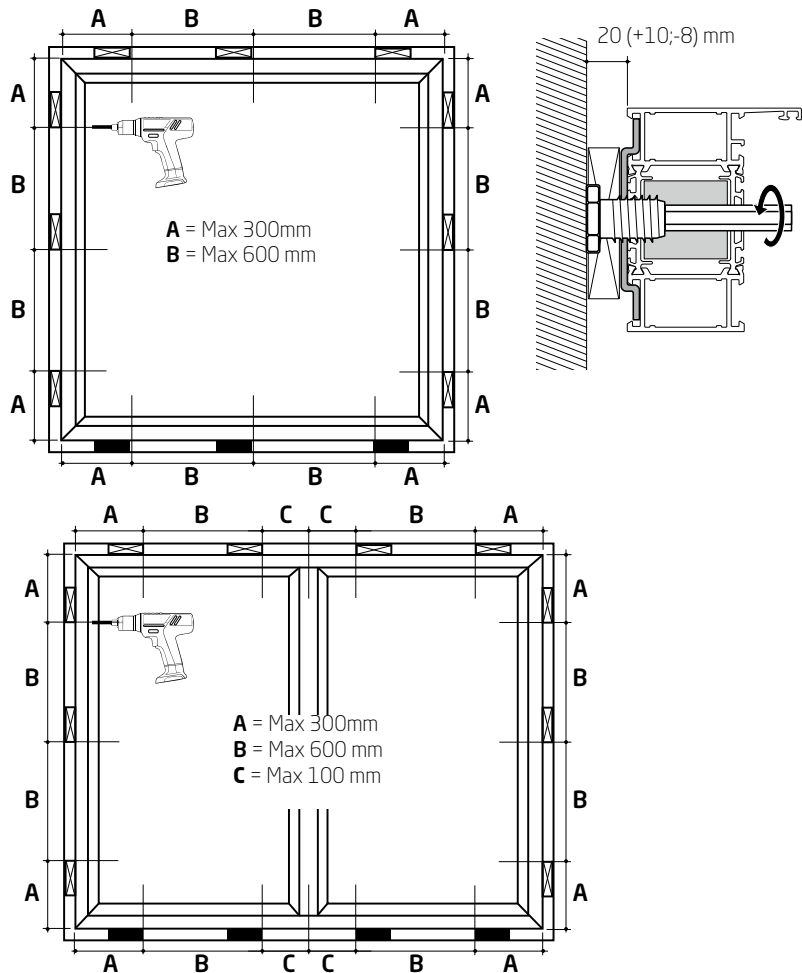


**Step 1.4** Fix the frame with adjufix sleeves into the opening.

- A = 100 mm for window height under 800mm (Applies only to the Left/Right sides)

### Attention!

Always use wedges or setting blocks between door frame and wall regardless of chosen installation alternative.



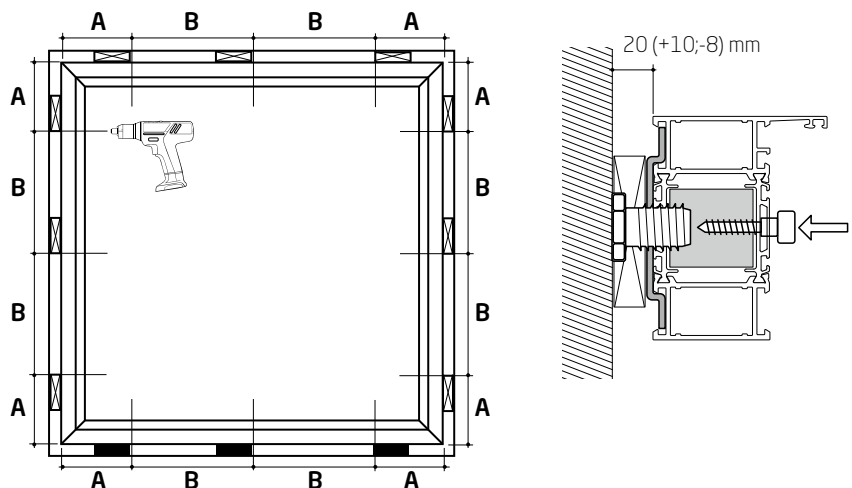
## Step 2

### Fasten the window to the wall

**Step 2.1** Screw bolts through the adjufix sleeves. Cover pre-drilled holes with plastic caps and seal them with compound for fire rated products P/N 12222.

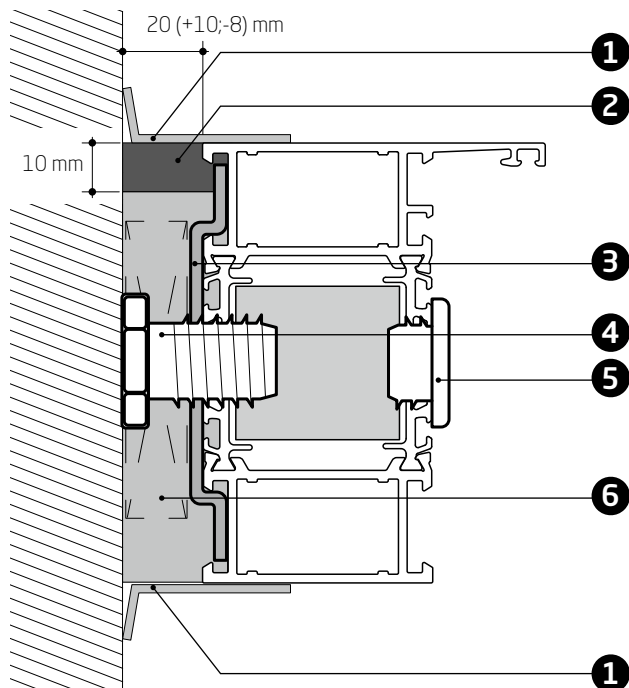
**Step 2.2** Ensure horizontal and vertical leveling of the frame. Follow step nr 1.3.

**NB!** All the bearing pads and wedges should be left in places and should not be sticking out of the construction's mounting depth



## Step 3. Seal the window

**Step 3.1** Ensure the gap between installation hole and window frame is sealed according to the sketch.



1. Sheet metal cover or other material according to project's technical specification
2. 10 mm sealing compound for fire rated products P/N 12222 (used in case window is installed in an external wall of the building)
3. Fixing device 12563
4. Adjufix - adjustable M16 frame sleeve
5. Plastic cover cap (included in delivery)
6. Joint filling with stone wool with density 40 kg/m<sup>3</sup>

**NB!** Install the glass unit with glass lists to the frame, following GLASS UNIT INSTALLATION TO FIRE PRODUCTS instructions.