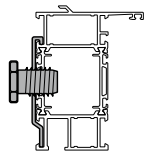


General information about completion of delivery:

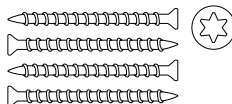
- If possible, windows arrive fully assembled with installed glass from the factory. If the product arrives unglazed, follow the unit installation manual.
- Holes for installation will be predrilled and adjufixes attached on the frame.
- The and insulation of the building openings should be defined before installation works. It is the responsibility of the customer, architect and dealer.

Installation material:



1. Adjufix

The required quantity is already attached to the frame.



2. Screws

For fastening brackets to the wall. Not included in delivery.



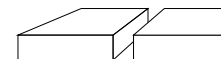
3. Caps

For covering predrilled holes. Included in delivery.



4. Wedges

Use stable, waterproof material, e.g. plastic. Not included in delivery.



5. Bearing pads

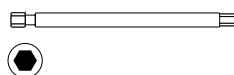
Use stable, waterproof material, e.g. plastic. Not included in delivery.

Installation tools:

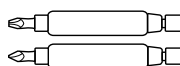
Not included in delivery



1. Cordless screwdriver



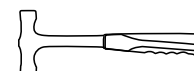
2. Hexagonal screwdriver bit



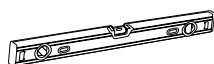
3. Magnetic bits



4. Drills



5. Light hammer



6. Spirit level

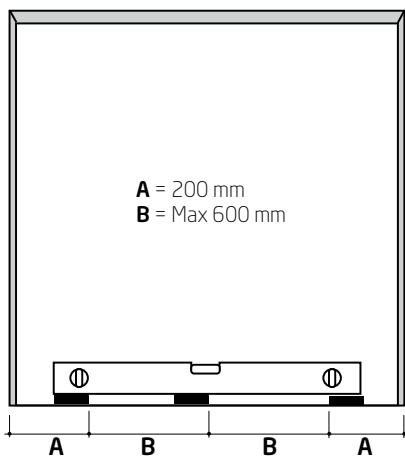


7. Set square

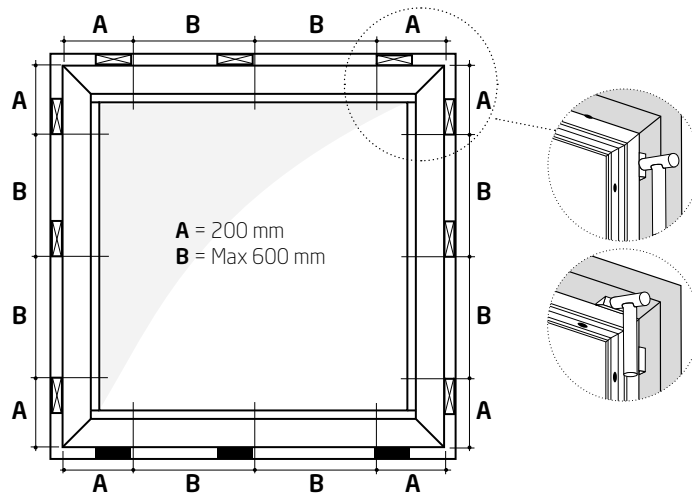
Step 1

Window installation to the opening



If possible, depending on the situation on site while fixing the frame, an opened window sash can be supported with no need to remove it out of the frame. If there is no support possibility, please follow the sash removal instruction.



Step 1.1 Place bearing pads at the bottom of the opening next to each fixing point on the window (A) and (B). If the window width is less than 1000 mm, bearing pads are only needed in position (A). Ensure they are level.

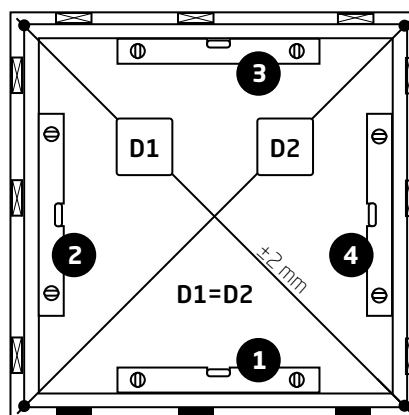


Step 1.2 Fix the frame with wedges. The wedges must be positioned next to each fixing point on the window.

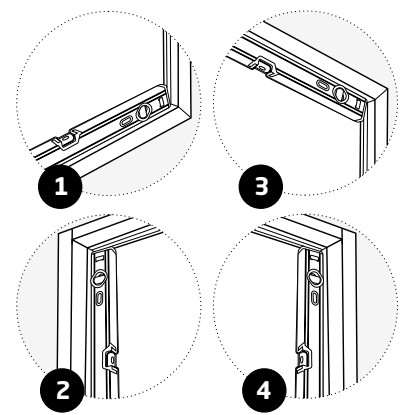
-  = Wedges
-  = Bearing pads

NB! For the gap between the frame and the wall it is recommended to leave: 15-20 mm.

Step 1.3 Ensure horizontal and vertical levelling of the frame.

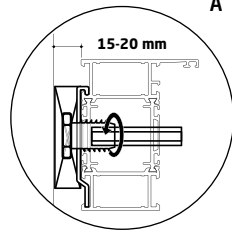
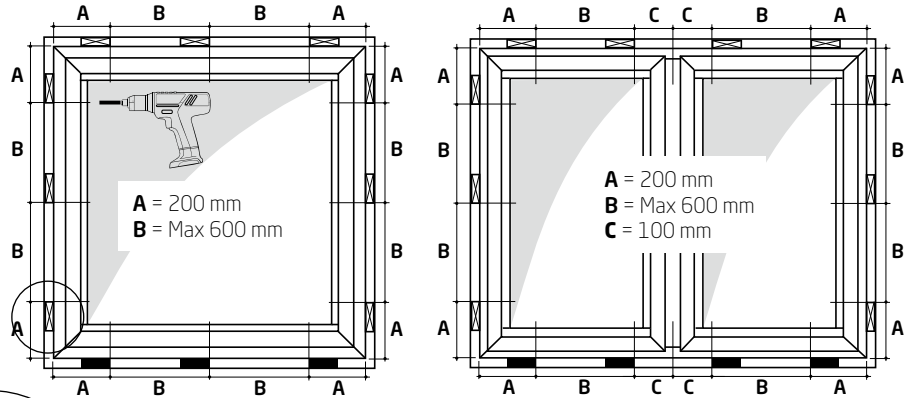


D = Diagonals



Step 1.4 Fix the frame with adjufix sleeves into the opening. Open the sash to 90 degrees and support it while fixing the frame into the opening with the help of an hexagonal screwdriver bit.

- There are only two fixing points on the left/right sides for heights under 1300 mm. (A = 200 mm)
- A = 100 mm for window height under 800 mm (This applies only to the left/right sides)
- No fixing points at the top and bottom if the width is under 1000 mm



Step 2

Fasten the window to the wall

Step 2.1 Screw bolts through the adjufix sleeves. The recommended distance and depth of drilling to the type of the wall is shown to the right. Cover the predrilled holes with caps.

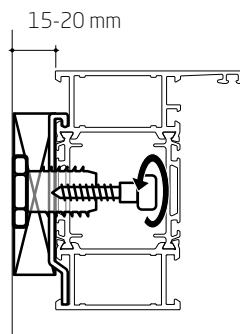
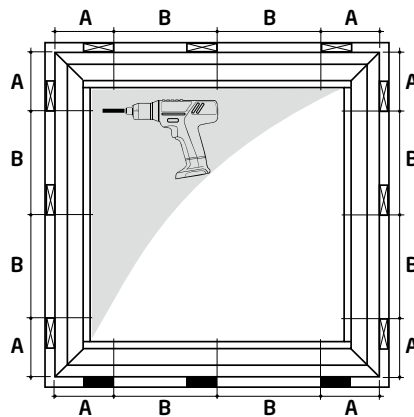
Step 2.2 Ensure horizontal and vertical levelling of the frame. (According to Step 1.3)

Step 2.3 Install the sash back into the frame if it was removed before installation. Follow the sash installation instruction.

Step 2.4 Check the functionality of the sash. Adjust if needed

Step 2.5 Seal the gap between the frame and the wall.

NB! All the bearing pads and wedges should be left in place!

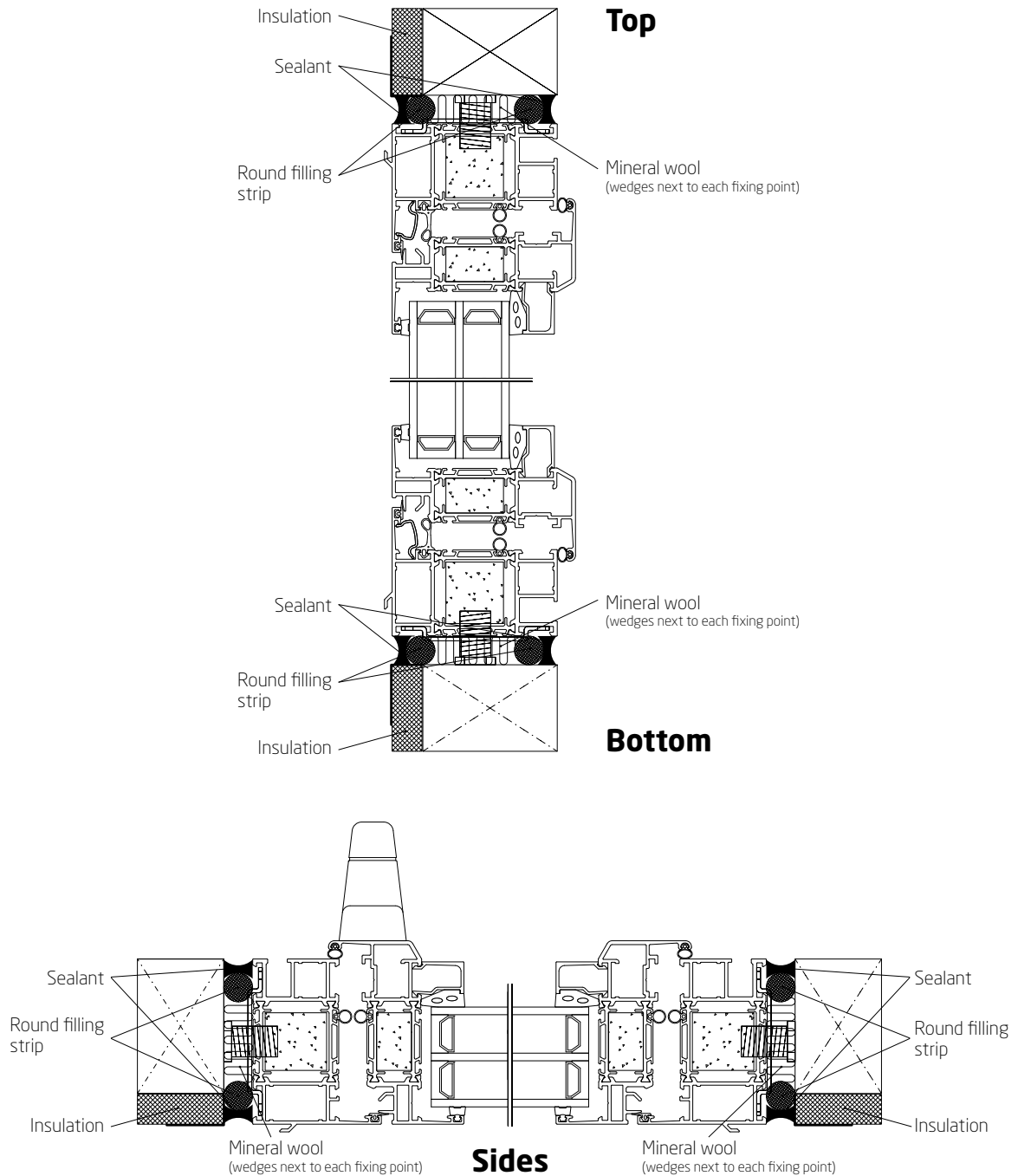


Depth of drilling according material:

Material	Depth of drilling (mm)
Concrete	30 mm
Limestone bricks	40 mm
Solide bricks	40 mm
Light Concrete	50 mm
Wood	50 mm
Porous Concrete	60 mm
Hole Bricks	100 mm

It is not recommended to fasten aluminium doors/windows into a wooden carcass due to the high risk of wood deformation due to environmental impact (cold/heat)

HelAlu windows sealing recommendations



- Principle of the sealing can vary depending on the type of the wall, where construction is installed in.
- Product should not protrude outside the insulation zone of the wall.
- Water run-off, wind/draught proofing between frame and wall must be carried out in accordance with byggforsk Norway details.