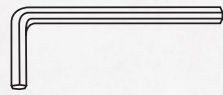
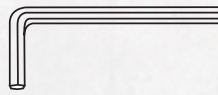


Adjustment tools:



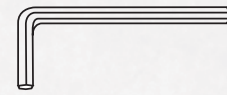
3

3 mm hexagon



4

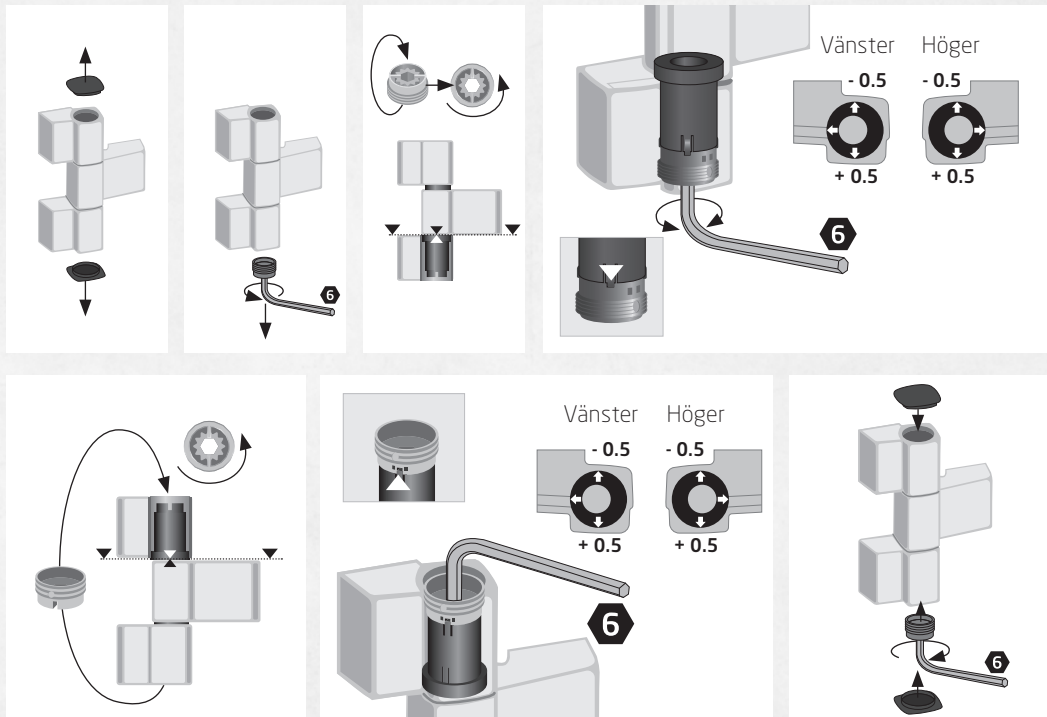
4 mm hexagon



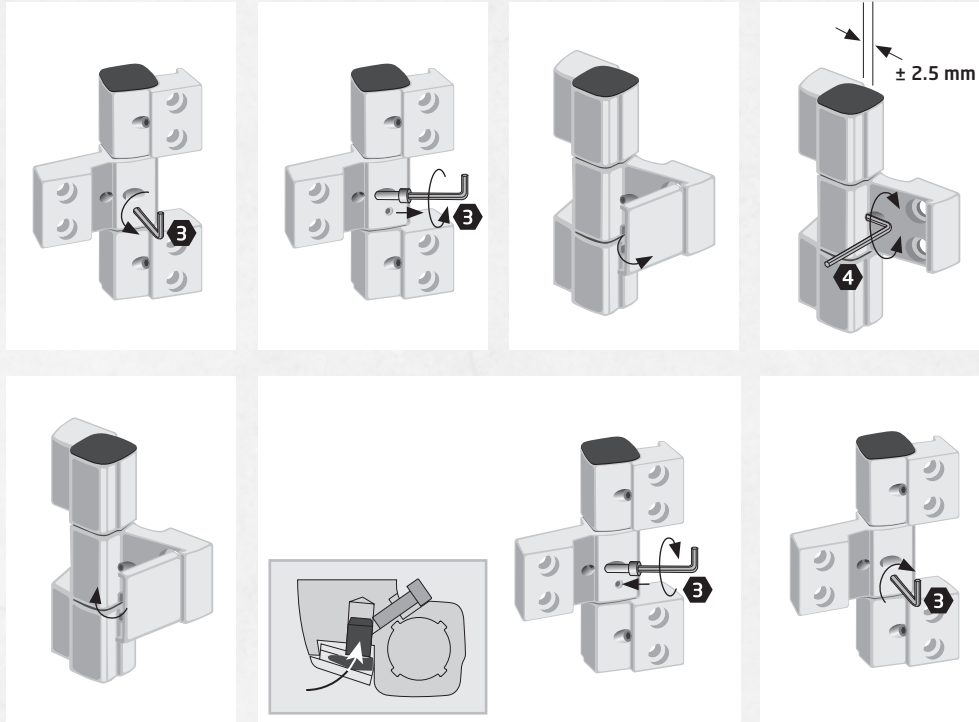
6

6 mm hexagon

Adjusting the sealing pressure



Horizontal adjustment



Height adjustment

