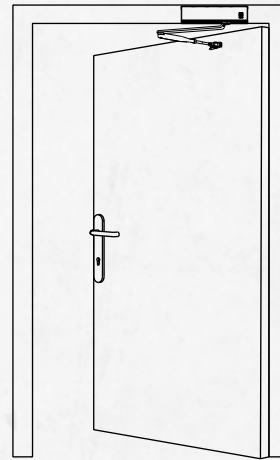


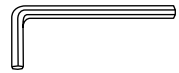
Left adjustment



Right adjustment

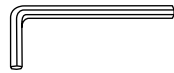
NB! Door closers arrive unadjusted. Adjustment after installation works is responsibility of installers.

Adjustment tools:



2.5

2.5 mm hexagon



5

5 mm hexagon



10 mm wrench

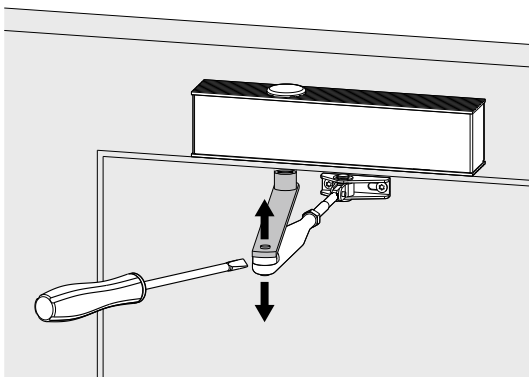


Screwdriver

Step 1 Before adjusting, fit an arm to the door closer, if it was delivered disconnected.

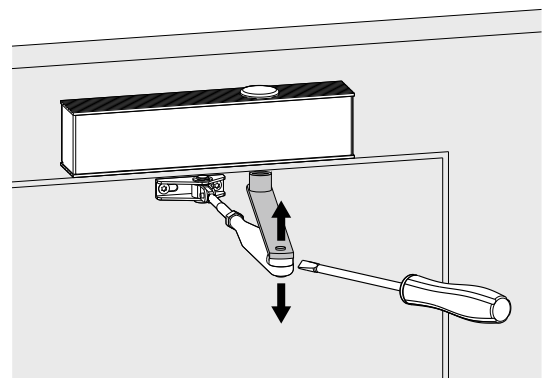
Left adjustment

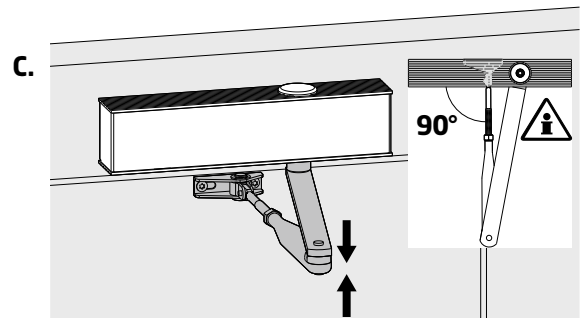
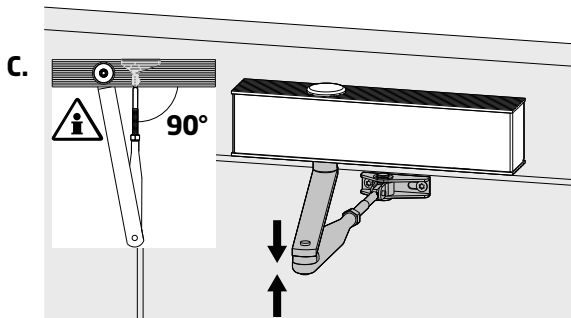
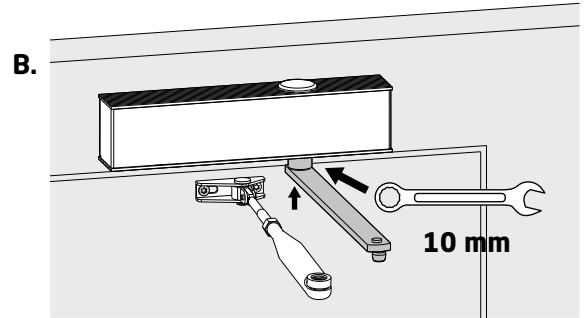
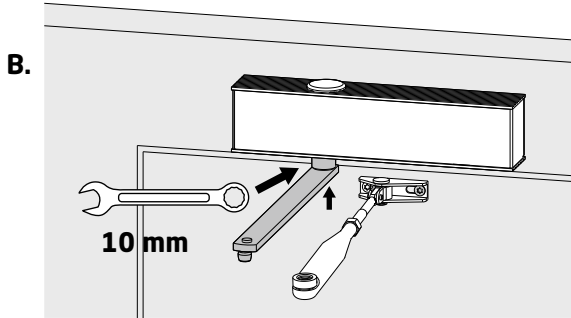
A.



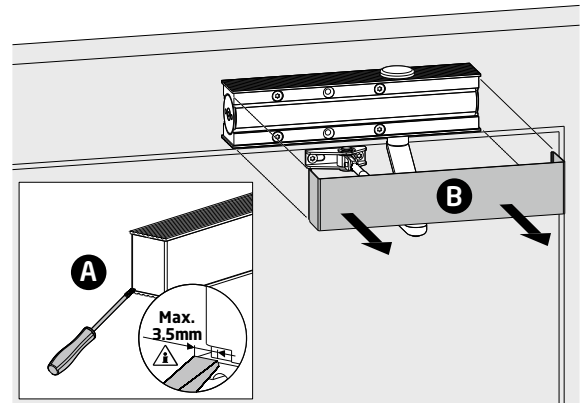
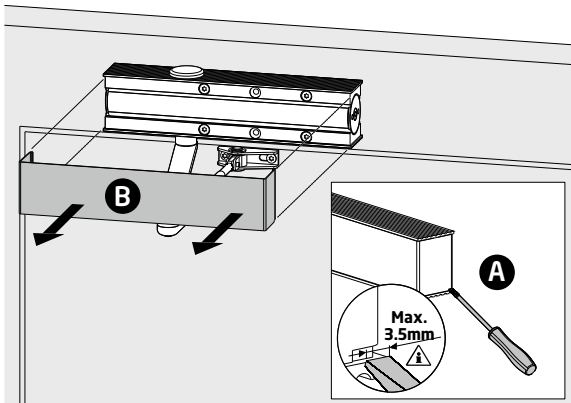
Right adjustment

A.

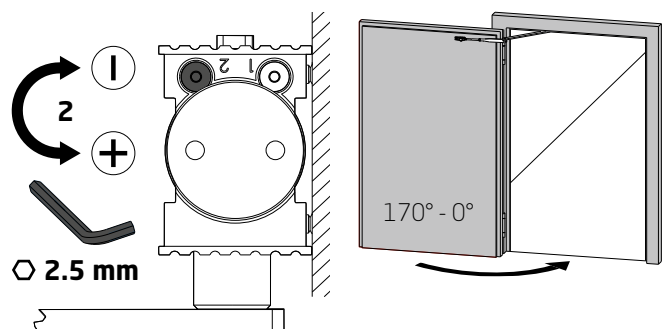
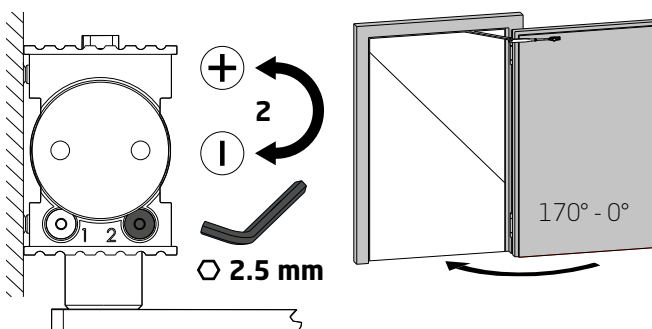




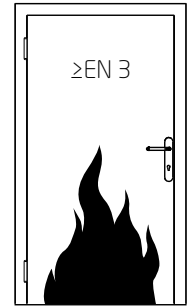
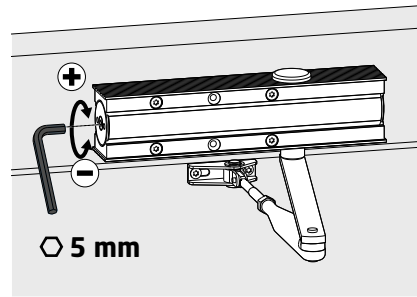
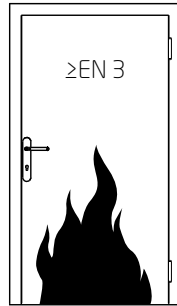
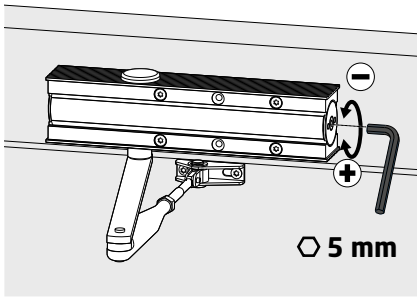
Step 2

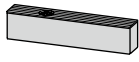


Step 3 Closing speed

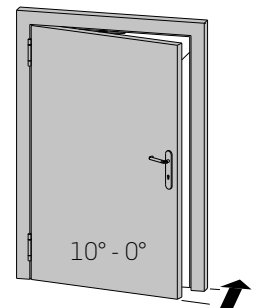
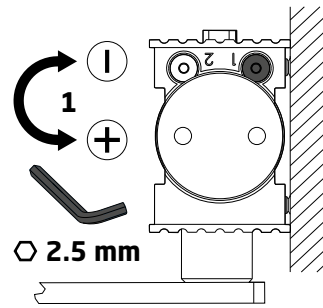
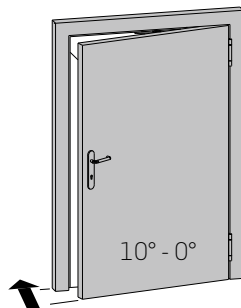
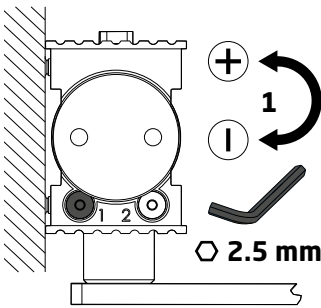


Step 4 Closing force



	Closing force	Max. door width	Rotations quantity for adjustment
 DCS500 EN 2-6	2	850 mm	-3
	3	950 mm	0
	4	1100 mm	+3
	5	1250 mm	+7
	6	1400 mm	+11

Step 5 Latching speed



Step 6

