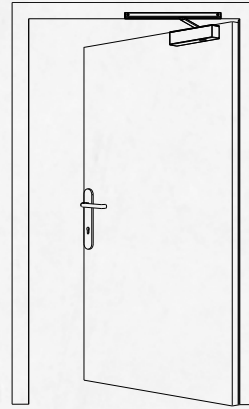


Left adjustment



Right adjustment

**NB!** Door closers arrive unadjusted. Adjustment after installation works is responsibility of installers.

## Adjustment tools:



2.5

2.5 mm hexagon



5

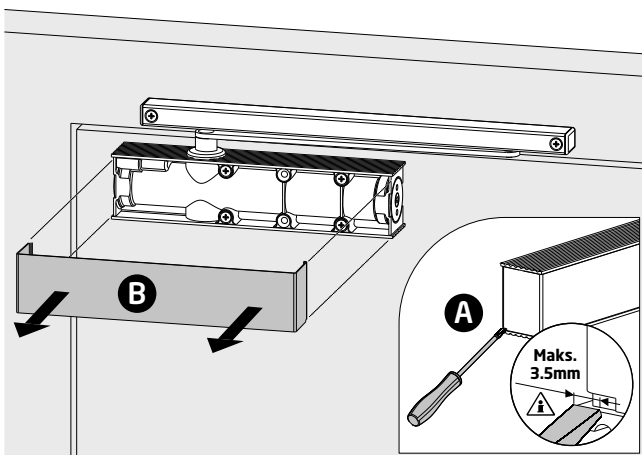
5 mm hexagon



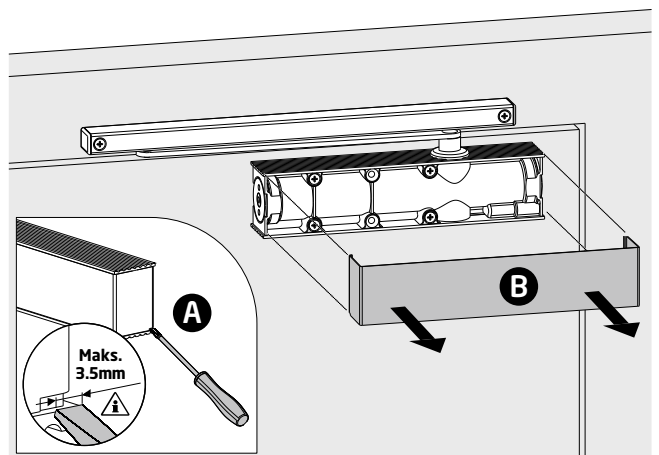
Screwdriver

## Step 1

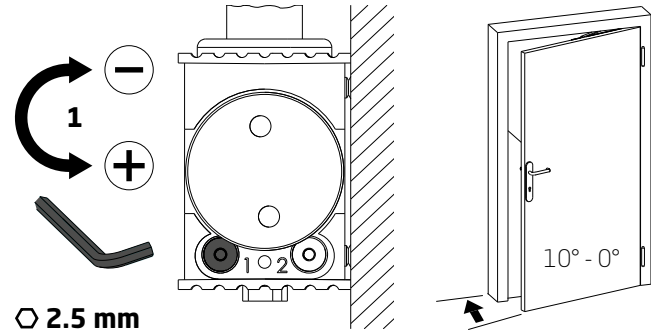
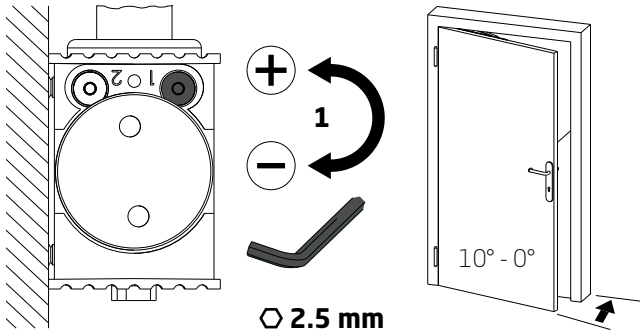
### Left adjustment



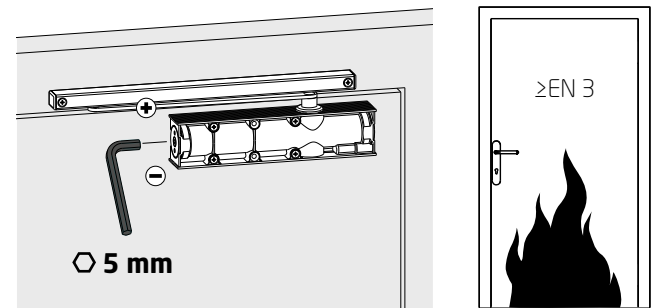
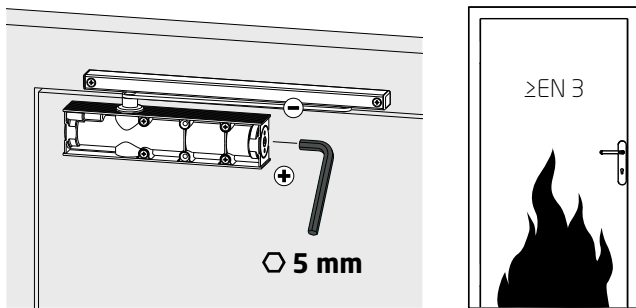
### Right adjustment

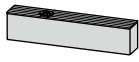
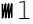





### Step 2 Latching speed

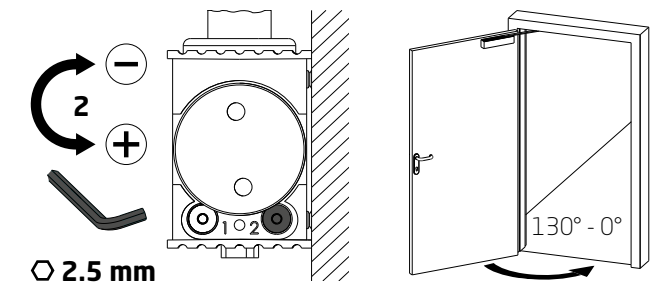
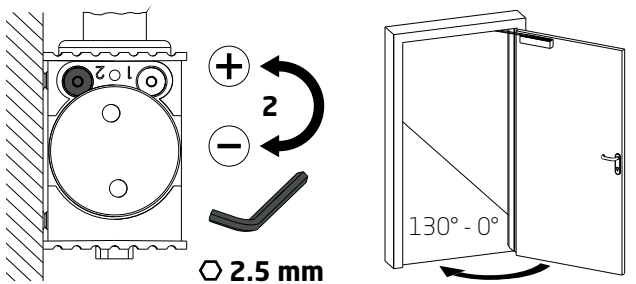


### Step 3 Closing force

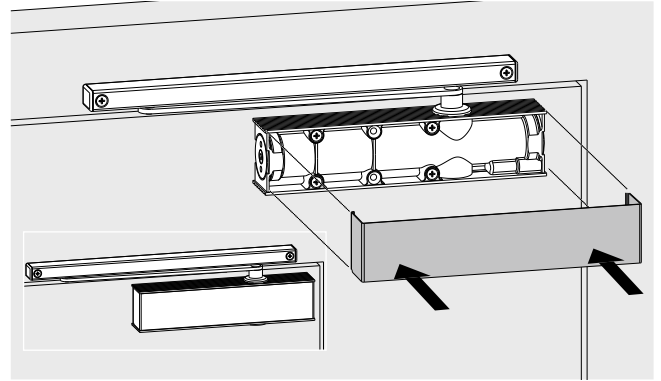
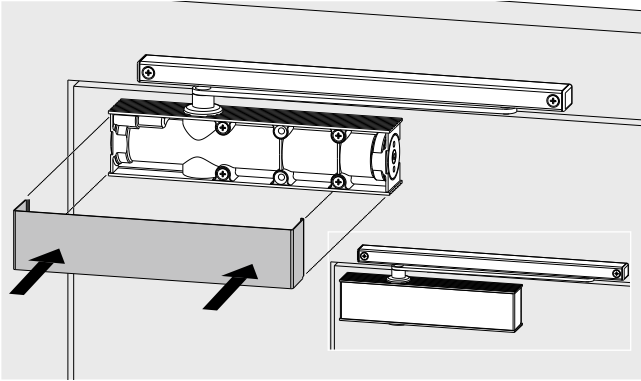


 DCG400 EN 1-4	Closing force	Max. door width	Rotations quantity for adjustment
	1	750 mm	-7
	2	850 mm	-4
	3	950 mm	0
	4	1100 mm	+5

### Step 4 Closing speed



### Step 5



### Step 6 Adjustment of sash opening stopper.

