

## Important information to avoid damage

The folding door consists of several hinged door sashes. This means that not every door sash is attached to the frame or other fixed construction. The weight of the door sashes can therefore result in them hanging a little crookedly. If the instructions are not followed, there is a risk that the lower edge of the door could leave scratches on the cover under the door.

It is therefore important that this user manual is followed carefully. The user manual shows folding door sashes, but it applies in general to all variants of the HelAlu Sapa 1086 folding door.

- In strong winds, all door sashes should be in the closed and locked position
- All operations must be carried out with care
- Be aware of the risk of crushing
- The rail at the bottom must be kept clean and free of dirt, soil, sand, and gravel, etc, so that the wheels roll freely and work to their optimum levels.

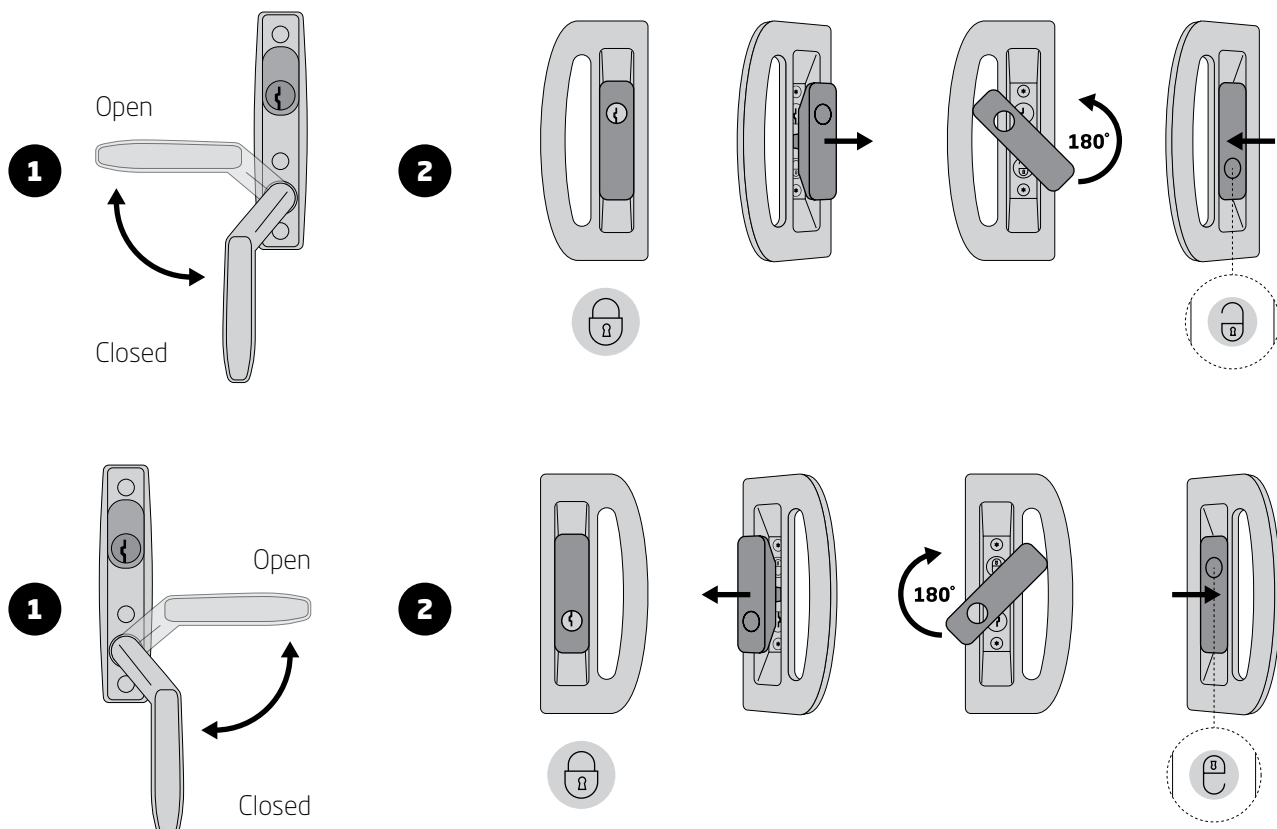
## Warning

Danger of injury. Risk of crushing between the door sashes when door leaves are opened and closed.

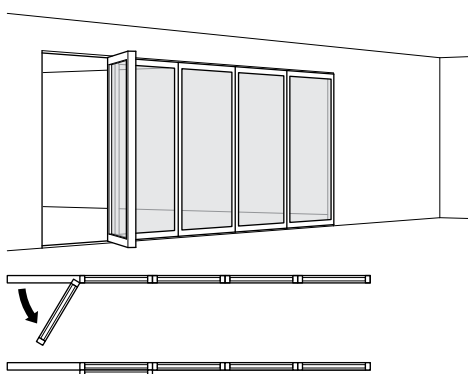
## Please note

Risk of property damage. The handles should only manoeuvre when the door sashes are in the correctly-closed position in the frame. If the locking points are out when the door sashes are moving, they can damage the door frame.

## Folding door operation

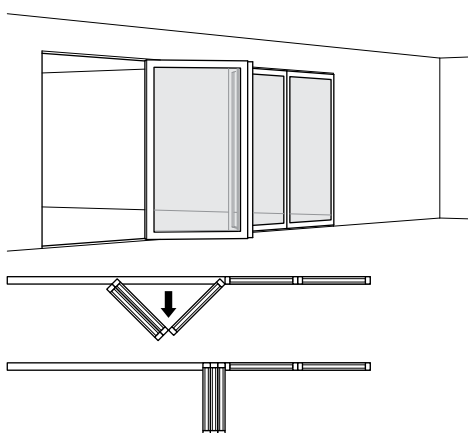


## Order when opening:

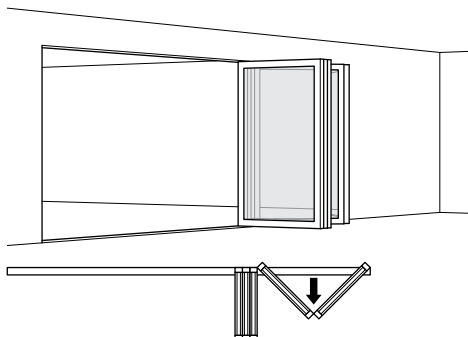


1. The main sash door is first opened with handle No 1, to an angle of 180 degrees. The magnet on the entrance door should meet the magnet on the nearest door sash, connecting with each other.
2. Then release the first folding wing by turning handle No 2 by 180 degrees.

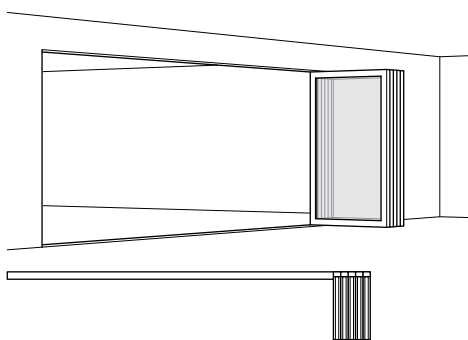
**NOTE:** remember to push the handle back into the bowl where it sits when the folding wing is released.



3. Open the folding wing by pushing it outwards.
4. Then push the first folding wing together until the magnets attach before opening the next one.

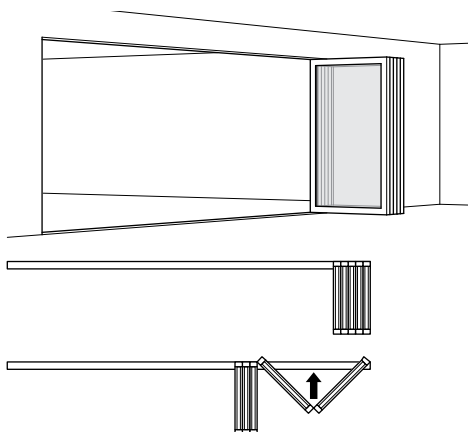


5. Continue in the same way with the next folding wing.

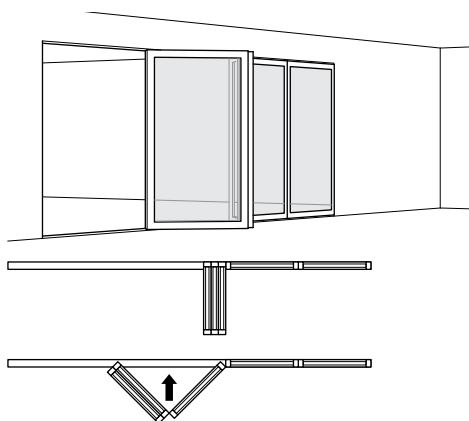


6. The folding door is completely opened and is held by the magnets.

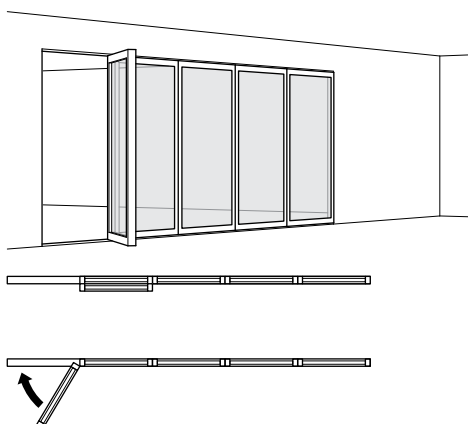
**In order to close folding doors, follow these steps:**



1. Completely close the first pair of doors.
2. Lock the first pair of doors by turning handle No 2 by 180 degrees.



3. Continue in the same way with the next pair of doors.



4. Finish by closing the main sash and locking it with handle No 1.